

Job Name: _____
 Location: _____
 Contact #: _____



Specifications

Model

400002 – Chrome finish

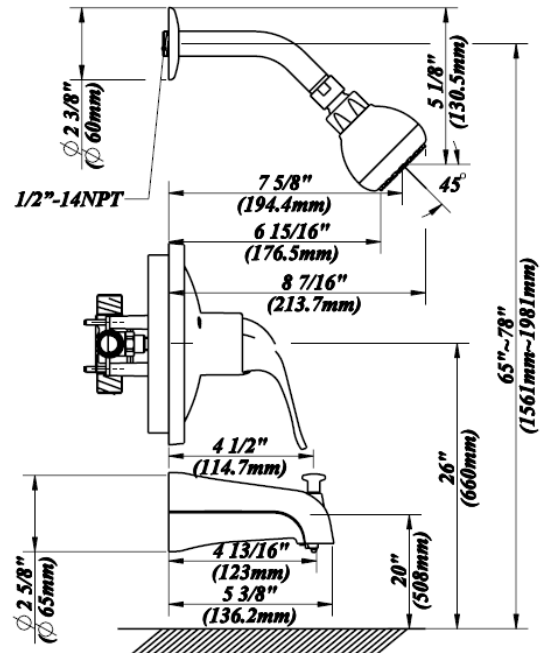
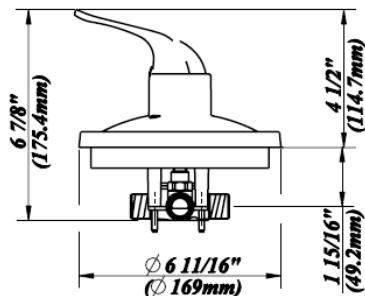
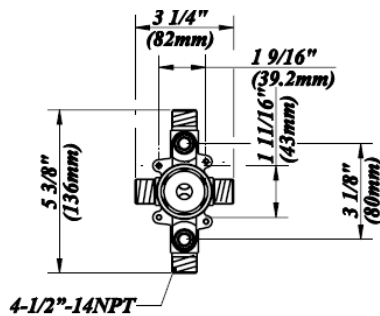
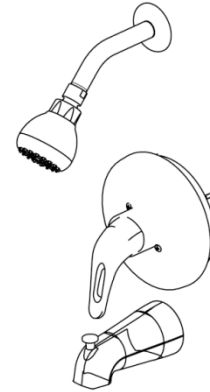
Description

- o Solid brass waterways
- o Washerless valve
- o 1/2"-14NPT inlet
- o Metal lever handle
- o Metal shower arm
- o Max. flow rate 2.5 GPM at 80 psi
- o 100% factory pressure tested

Standards

- o ASME A112.18.1M/A112.18.1
- o IAPMO/cUPC
- o ADA

Single Handle Tub And Shower Faucet



Technical Support

888-328-2383

Manufacturer model#F1A14520

Warranty Parts List

Single Handle Tub And Shower Faucet

#	Description	Part #
1	Shower Head	S1211202
2	Shower Arm	A020002
3	Shower Arm Flange	A019001
4	Metal Handle	A029081
5	Index Button-Cold/Hot	A66D569
6	Screw Set(3/16" -24 * 3-9/16" L)	A608553
7	Escutcheon Assembly	A667103
8	Screw Set(3/16" -24 * 2-3/16" L)	A608519
9	Plaster Guard	A127211KP
10	Sleeve	A103322
11	Retainer Nut	A103310
12	Washerless Cartridge Assembly	A507902
13	Check Valve	A603120
14	Plug	A028452
15	Spout W/Diverter	A100012
16	Hex Wrench (H2.5 * 19mm L * 53mm L)	A031000NI

